



PT1E-1071

PLUG-IN SOCKET
5000-TM
Operating Manual

RIKEN KEIKI Co., Ltd.

2-7-6 Azusawa, Itabashi-ku, Tokyo, 174-8744, Japan

Phone : +81-3-3966-1113

Fax : +81-3-3558-9110




E-mail : intdept@rikenkeiki.co.jp

Web site : <http://www.rikenkeiki.co.jp/>

Preface

Thank you for choosing our plug-in socket 5000-TM. This is the case for the RM-5000 series the indicator alarm unit and the TAN-5000 series the buzzer unit only.
This case is designed for the surface mounting and the DIN rail mounting. This case is a stand-alone type.

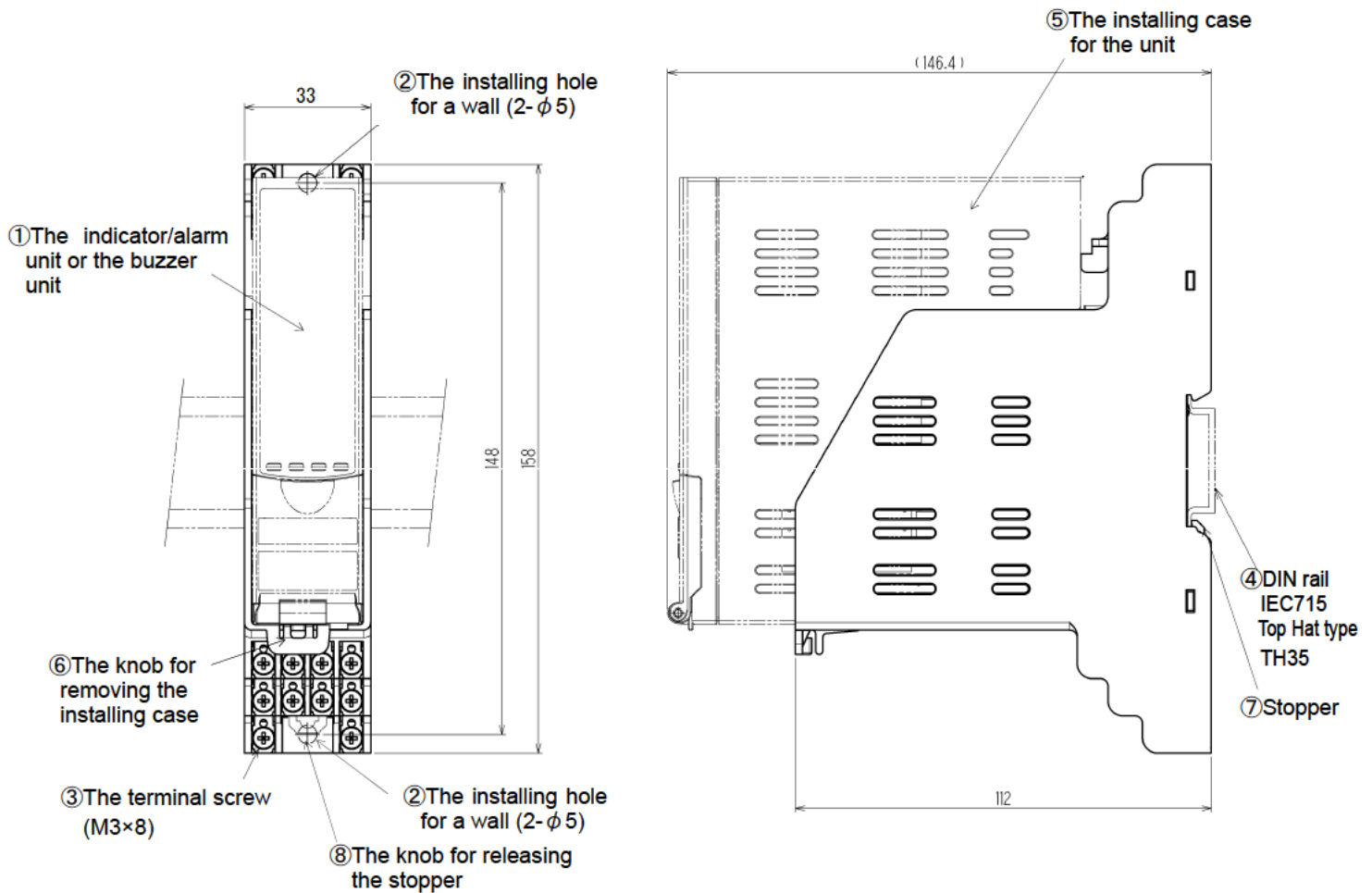
This manual explains how to use the plug-in socket and its specifications. It contains information required for using the plug-in socket properly. Not only the first-time users but also the users who have already used the product must read and understand the operating manual to enhance the knowledge and experience before using the plug-in socket.

 DANGER	This message indicates that improper handling may cause serious damage on life, health or assets.
 WARNING	This message indicates that improper handling may cause serious damage on health or assets.
 CAUTION	This message indicates that improper handling may cause minor damage on health or assets.
NOTE	This message indicates advice on handling.

Contents

1. Names and functions for each part	3
2. How to use	
2 – 1 Before using the plug-in socket	4
2 – 2 How to install a DIN rail	4
2 – 3 How to install a wall	5
2 – 4 How to wire	6

1 . Names and functions for each part



①RM-5000 series the indicator/alarm unit(Optional) or TAN-5000 series the buzzer unit (Optional)

②The installing hole for a wall (2-φ5) : Used to install a wall.

③The terminal screw (M3×8) : Used to connect a wire.

④DIN rail (Optional) : When using the DIN rail, use IEC715 Top Hat typeTH35.

⑤The installing case for the unit : Install each unit.

⑥The knob for removing the installing case : Used to remove the installing case.

⑦Stopper : When attaching in the DIN rail, hook the stopper at the end of DIN rail.

⑧The knob for releasing the stopper : When removing plug-in socket from the DIN rail, use this the knob.

2. How to use

2-1 Before using the plug-in socket

This plug-in socket is a specially designed for the RM-5000 series the indicator alarm unit and the TAN-5000 series the buzzer unit. This case is designed for the surface mounting and the DIN rail mounting.

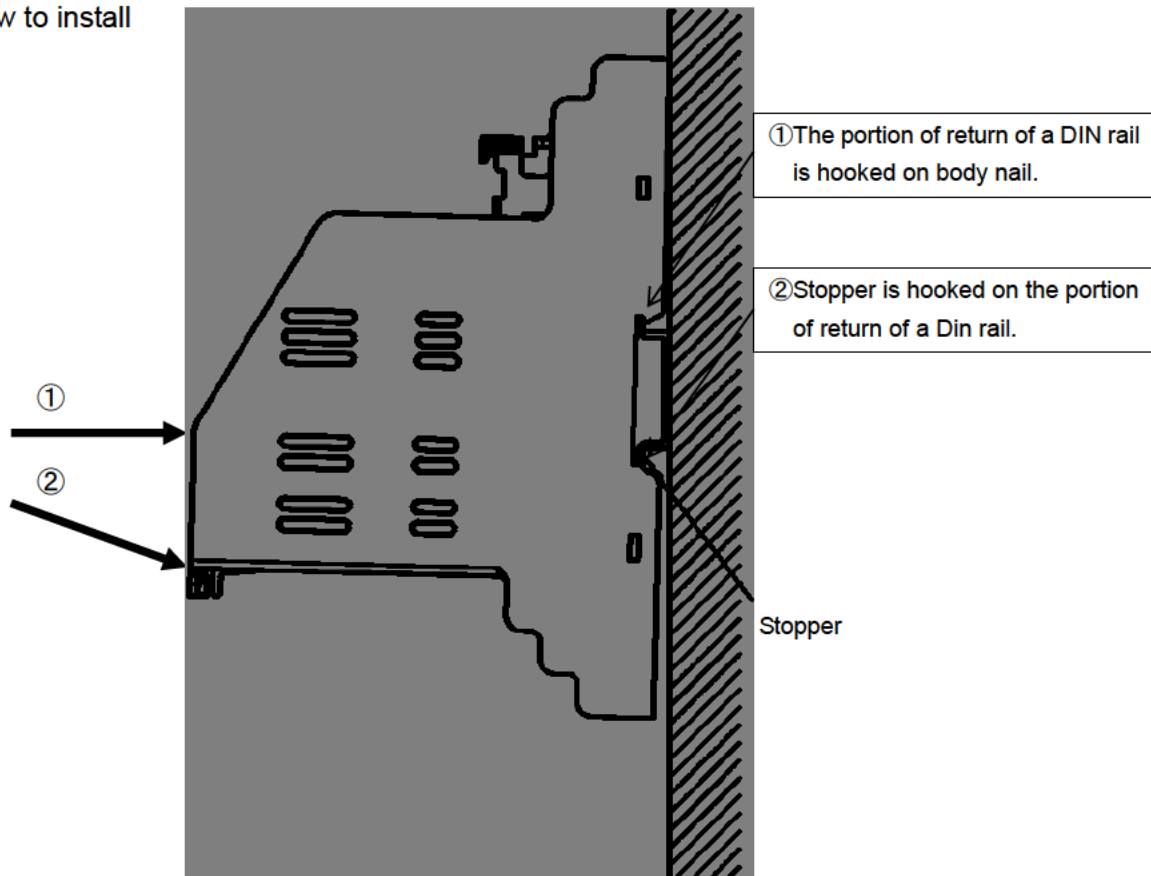
Do not use it for other uses.

WARNING

- Do not make absolutely reconstruction or change of decomposition, a circuit, structure, etc.
- Do not throw into fire.
- Avoid the use under the high temperature and humidity beyond the specification range, high pressure, and low-temperature environment.
- Do not store in a place where it is exposed to direct sunlight, or in a sun-heated car.
- Avoid use near the apparatus which a strong electromagnetic wave generates, or the equipment.

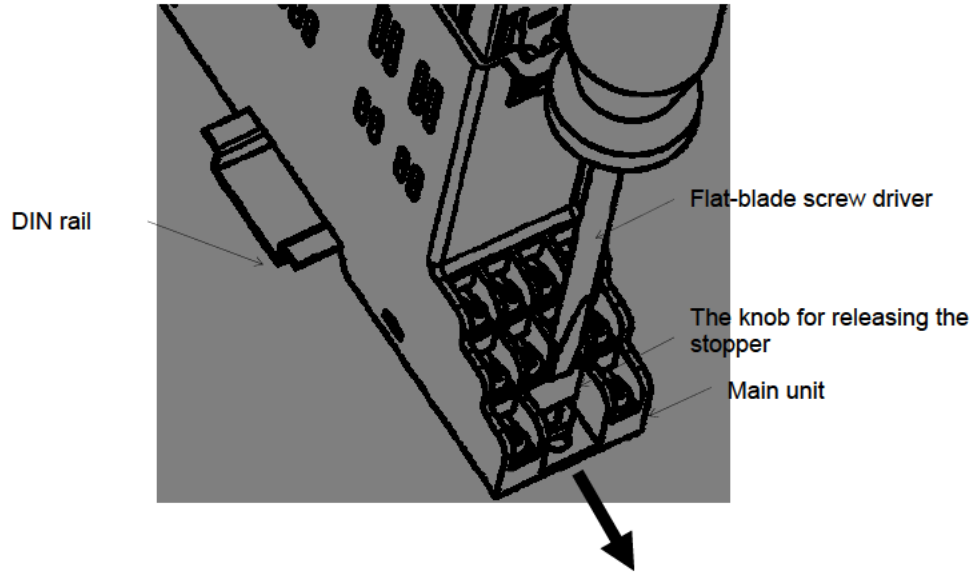
2-2 How to install a DIN rail

(1) How to install



When installing on the DIN rail, press the case lightly in the direction of arrow①, as shown in the upper panel. Hook the groove of case on the edge of DIN rail. While keeping its position, press the case in the direction of arrow②.

(2) How to remove

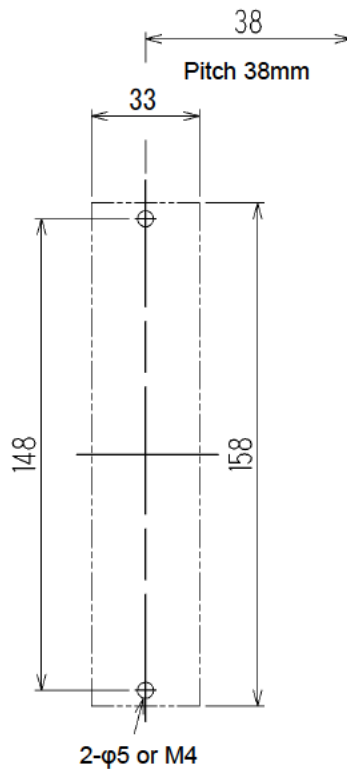


Put a flat-blade screwdriver to recesses of stopper. And while sliding the knob in the direction of allow, remove it from the DIN rail by lifting the bottom of the plug-in socket.

2-3 How to install a wall

(1) To install the plug-in socket on the wall directly, remove its stopper.

(2) Dimensions for installation



Dimensions for installation

2-4 How to wire

⚠ CAUTION

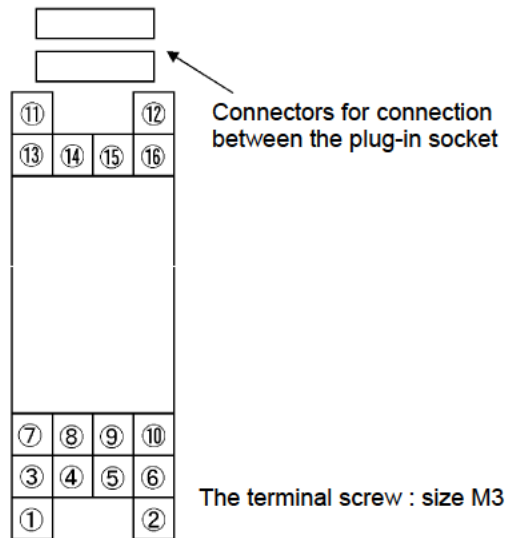
- Use the specified cables for each of the connections between the indicator/alarm unit and the detector head.
- When wiring, be careful not to apply stresses on the terminal plate when (overweight) cables are installed.
- The power cables and signal cables must not be installed together with the motor power cables, etc.

* NOTE

- Refer to indicator/alarm unit and buzzer unit instruction manual collectively in the case of connection with each signal.
- Refer to the instructions manual of the detector head, and the connecting diagram between the detector head and indicator alarm unit.

- Remove the installing case, while manipulating the knob for unit storage case removal.
- Connect a cable to each terminals.
- When using two or more the plug-in socket, cross and wire by the exclusive cable (connecting cable between plug-in sockets).
- Attach the installing case after the end of connection (it will click if it pushes in to the back).

<Figure of Terminal plate>



<Terminals>

Buzzer unit

Operation signal		Terminal№	Operation signal
Power input DC24V	+	⑪ ①	Common first alarm contact output
	-	⑫ ②	
Common fault alarm contact output		⑬ ③	Vacant terminal
		⑭ ④	
Test input		⑮ ⑤	Buzzer stop signal input
Common (for⑤,⑥,⑮)		⑯ ⑥	Reset signal input
		⑦	Common second alarm contact output
		⑧	
	A	⑨	RS-485 Input-output
	B	⑩	

Indicator/alarm unit

Operation signal		Terminal№	Operation signal
Power input DC24V	+	⑪ ①	First alarm contact output
	-	⑫ ②	
Fault alarm contact output		⑬ ③	Detector
		⑭ ④	
Test input		⑮ ⑤	
Common(for⑮)		⑯ ⑥	
		⑦	Second alarm contact output
		⑧	
	+	⑨	DC4~20mA output
	-	⑩	

※The RS-485 Input-output depends on the specifications of the indicator/alarm unit.

※Buzzer stop signal input depends on the specifications of the indicator/alarm unit.

<Pin assign table>

No.	Operation signal
1	RS-485
2	Input-output
3	COM
4	Reset
5	Test
6	Gas alarm AL1
7	Gas alarm AL2
8	Buzzer stop
9	Buzzer output
10	Fault